



Capacitive Filling Level Probe - KFS

Series: **PER LEVEL**

3 Limit value switching points

- For connection to the capacitive amplifier KFA-5-3-...
- Housing material: GFK, 16 mm Ø
- Connection head and process connection stainless steel VA
- Process connection 1"
- Probe length max. 2000 mm

Certificate:



Technical data

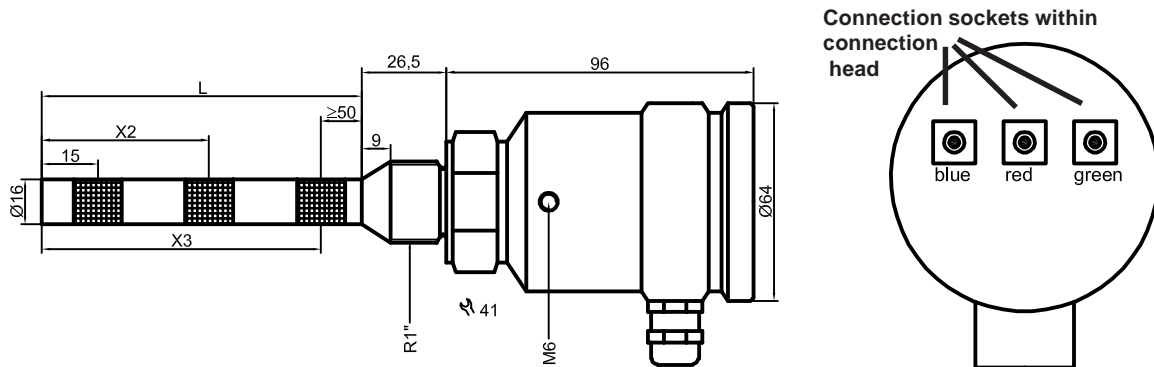
Active Zone [mm]	10... 25, related to probe tip + 2 x type specific X2/X3
Type	KFS-5-3-"L"-15/X2/X3-VA-1"
Connection diagram	see below
Permitted ambient temperature	-25...+100°C
Permitted ambient temperature (for active zone)	-25...+150°C
Degree of protection IEC 529 (Housing)	IP 67
Degree of protection IEC 529 (screwing*cable connection)	IP 54
Connection to the evaluation unit KFA-5-3-...	SMB-sockets within the connection head
Housing material	VA Nr. 14571
Active zone	GFK
Pressure	25 bar

**Connection cable (with Y75/Y75 SMB connector) is not delivered with the probe
Order specifications: see page 50.**

* The degree of protection may be increased by means of special measures at mounting (e. g. injection of silicone mixture).

Other housing materials for the active zone (probe), like PE, PVDF or PEEK on request.

Please determine the position of the second and third switching point "X2/X3" when ordering.



All specifications are subject to change without notice. (05/2004)