



## Capacitive evaluation units - KXA (Quattroplex)

Series - KXS-Extreme - NPN

Series - KXS-Extreme - PNP

- Quattroplex - evaluation unit (4 adjustable switching points) for connection to 1 capacitive sensor KXS-M18/..., KXS-M30/... or KXS-M32/...
- Quattroplex - MINI - evaluation unit (4 adjustable switching points) for connection to 1 capacitive sensor KXS-M5/..., KXS-M8/... or KXS-M12/...
- Operating voltage: 18...36 V DC
- Extension possible with master/slave function

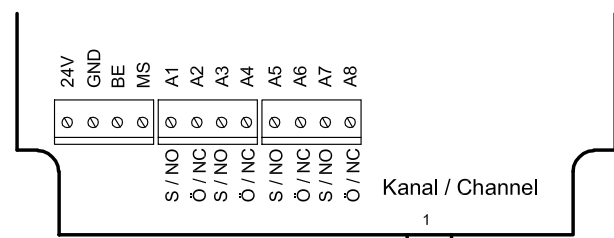
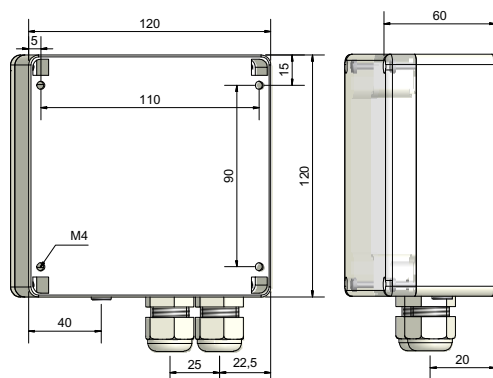
Certificate:



### Technical data

Output function	4 x Antivalent (NO + NC)	4 x Antivalent (NO + NC)
<b>Type NPN</b>	<b>KXA-5-1/4-N-A-CC-MINI</b>	<b>KXA-5-1/4-N-A-CC</b>
<b>Art.-No.</b>	<b>XA 0058</b>	<b>XA 0056</b>
Connection diagram No.	See below	See below
<b>Type PNP</b>	<b>KXA-5-1/4-P-A-CC-MINI</b>	<b>KXA-5-1/4-P-A-CC</b>
<b>Art.-No.</b>	<b>XA 0057</b>	<b>XA 0055</b>
Connection diagram No.	See below	See below
Operating voltage ( $U_b$ )	18...36 V DC	18...36 V DC
Output current max. ( $I_o$ )	250 mA each output	250 mA each output
Permitted residual ripple max.	40 %	40 %
No-load current ( $I_o$ )	Typ. 120 mA	Typ. 120 mA
Permitted ambient temperature	-25...+55 °C	-25...+55 °C
LED - display	Green / yellow	Green / yellow
Protective circuit	Built-in	Built-in
Degree of protection IEC 60529	IP 54	IP 54
Norm	EN 60947-5-2	EN 60947-5-2
Connection	Screw terminals and triax socket	Screw terminals and triax socket
Housing material	ABS	ABS

All specifications are subject to change without notice. (10/2011)



**Made in Germany**