



Capacitive Filling Level Probe - KFS

Series: **PER L&V&L** - ATEX

2 Limit value switching points

- For connection to the capacitive amplifier:
KFA-5-...-Y50 with plug connection Art.-No. 66101242
KFA-5-...-Y70 with plug connection Art.-No. 66101204
- For use in areas with the risk of dust explosion, zone 20
- For use in areas with the risk of gas explosion, zone 1
- Housing material: PTFE, 16 mm Ø
- Connection head and process connection stainless steel VA
- Process connection 1"
- Probe length max. 2000 mm

Certificate:



BVS 05 ATEX E 185	IECEX BVS 07.0032
⚡ II 2G Ex mb II T4	Ex mb II T4
⚡ II 1/2 D IP 67 T 110°C	Ex tD A20/21 IP 67 T110°C

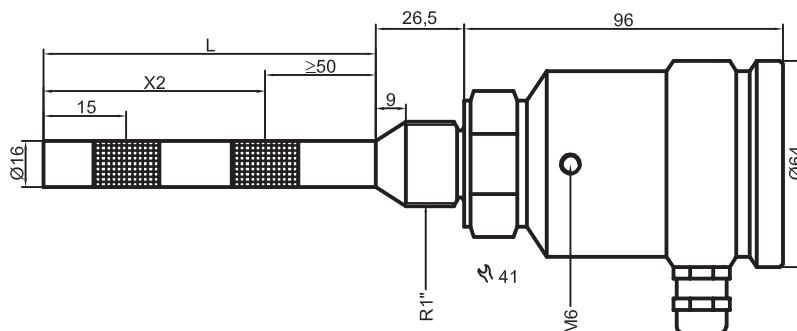
Technical data

Active zone	10...25 mm, related to the probe tip + 1 x type specific X2
Type	KFS-5-2-"L"-15/X2-VA-1"-StEx
Permitted ambient temperature	-25...+100 °C
Permitted ambient temperature (active zone)	-25...+100 °C
Degree of protection IEC 60529	IP 67*
Norm	EN 60947-5-2
Connection to the evaluation unit KFA-5-...	SMB-sockets within the connection head
Housing material	VA No. 1.4571
Active Zone	PTFE

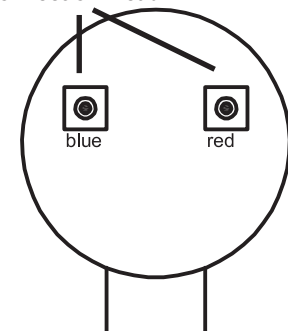
Connection cable (with Y55/Y75 or Y75/Y75 SMB connector) is not delivered with the probe
Order specifications: see page 66.

* The degree of protection may be increased by means of special measures at mounting (e. g. injection of silicone mixture).

Please determine the total length „L“ and the position of the second switching point “X2” when ordering.



Connection sockets within connection head



All specifications are subject to change without notice. (10/2008)

Made in Germany